

Zero-Waste Recycling Technologies



Rubber from End
of Life Tires



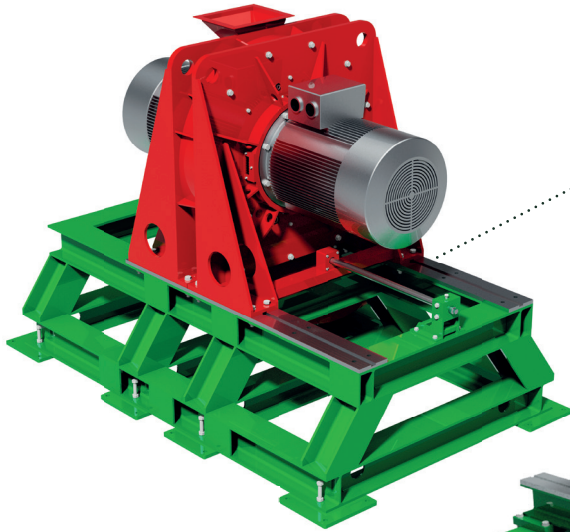
Construction &
Demolition Waste



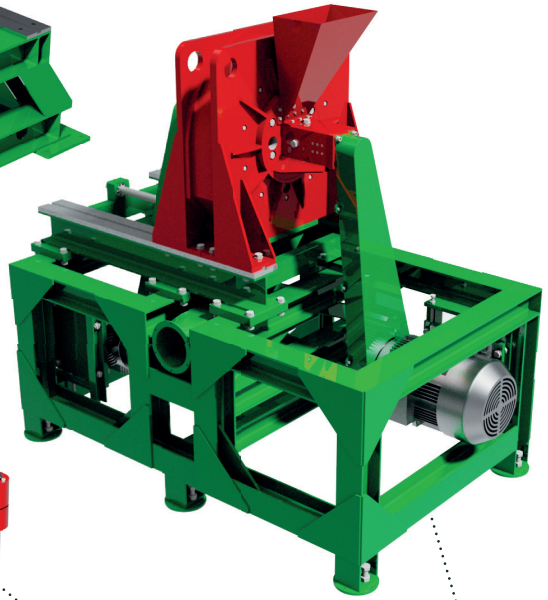
Stone &
Marble Waste



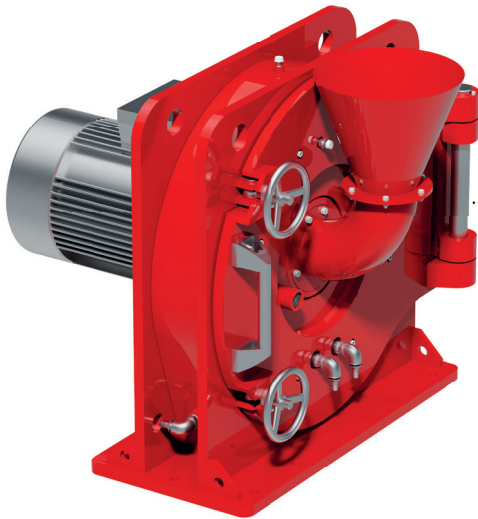
Plasterboard
Waste



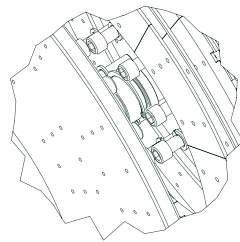
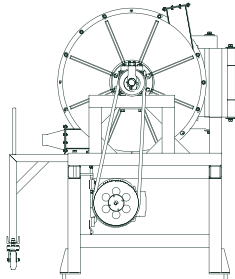
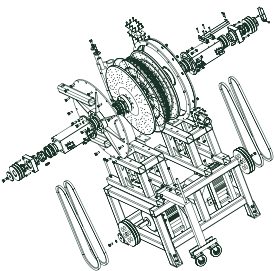
LAV D650/II
Rubber & Plastic



LAV D250/I
C&D Waste



LAV D400/I-K
Stone & Marble
Waste



www.lavaris.cz